

GREETINGS

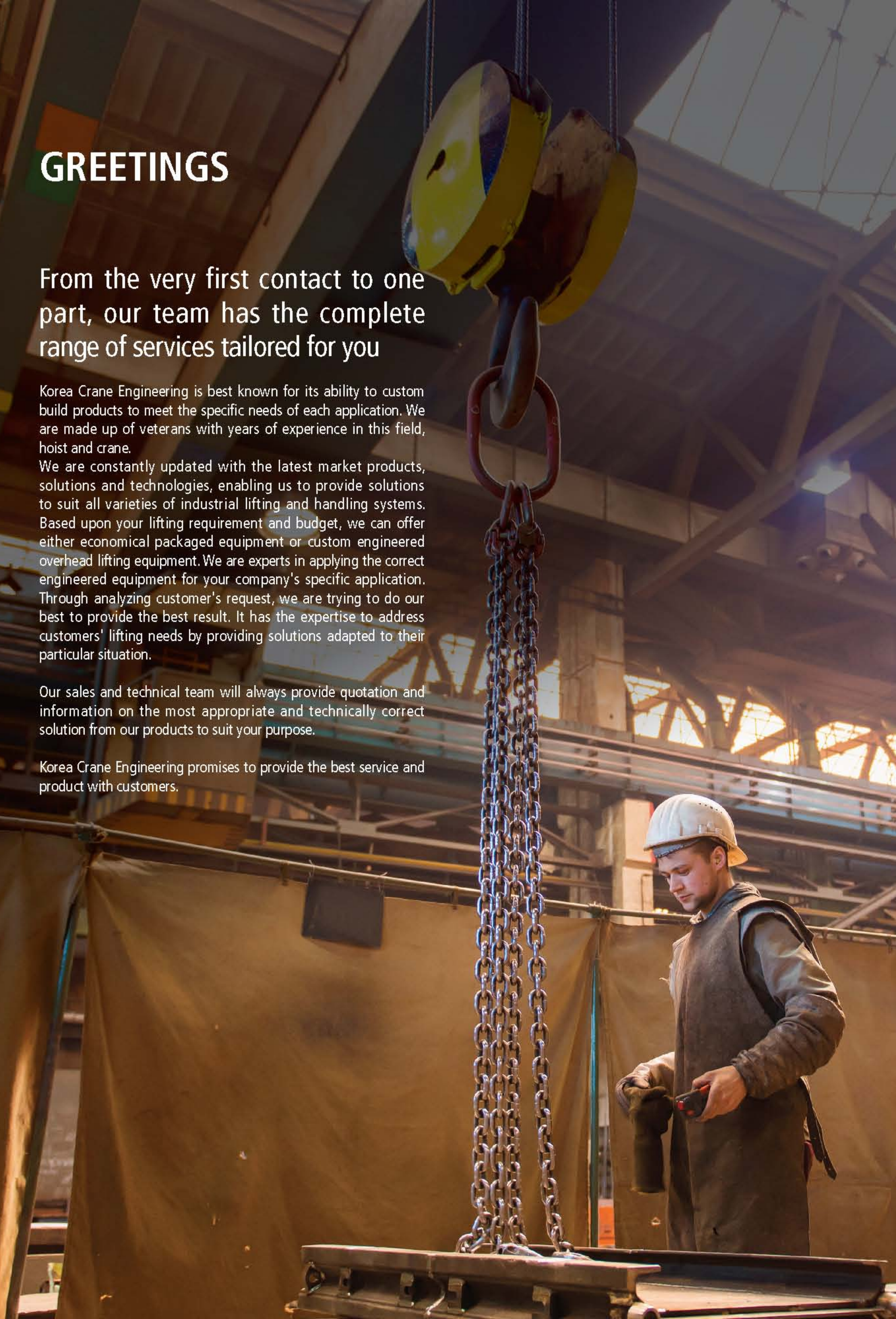
From the very first contact to one part, our team has the complete range of services tailored for you

Korea Crane Engineering is best known for its ability to custom build products to meet the specific needs of each application. We are made up of veterans with years of experience in this field, hoist and crane.

We are constantly updated with the latest market products, solutions and technologies, enabling us to provide solutions to suit all varieties of industrial lifting and handling systems. Based upon your lifting requirement and budget, we can offer either economical packaged equipment or custom engineered overhead lifting equipment. We are experts in applying the correct engineered equipment for your company's specific application. Through analyzing customer's request, we are trying to do our best to provide the best result. It has the expertise to address customers' lifting needs by providing solutions adapted to their particular situation.

Our sales and technical team will always provide quotation and information on the most appropriate and technically correct solution from our products to suit your purpose.

Korea Crane Engineering promises to provide the best service and product with customers.



HOIST

HOIST



Hoist Classification	FEM(2m) / ISO(M5)
Safety Working Load	125%
Capacity	1ton ~70ton
Power Supply	Power source 220/380/415/440/480V, 50/60hz, AC 3ph
Ambient Temperature	-20 °C ~+40 °C
Utilization Factor(%ED)	40%ED
Coating Color	Hoist Body - Munsell No. 10B 3/5 Button Block - Munsell No. 8.1YR 7.6/15.2 Hook - Munsell No. 8.1YR 7.6/15.2 Trolley - Munsell No.10B 3/5

LINEUP



Double rail Hoist



Mono-rail Hoist



Main & Aux Hoist

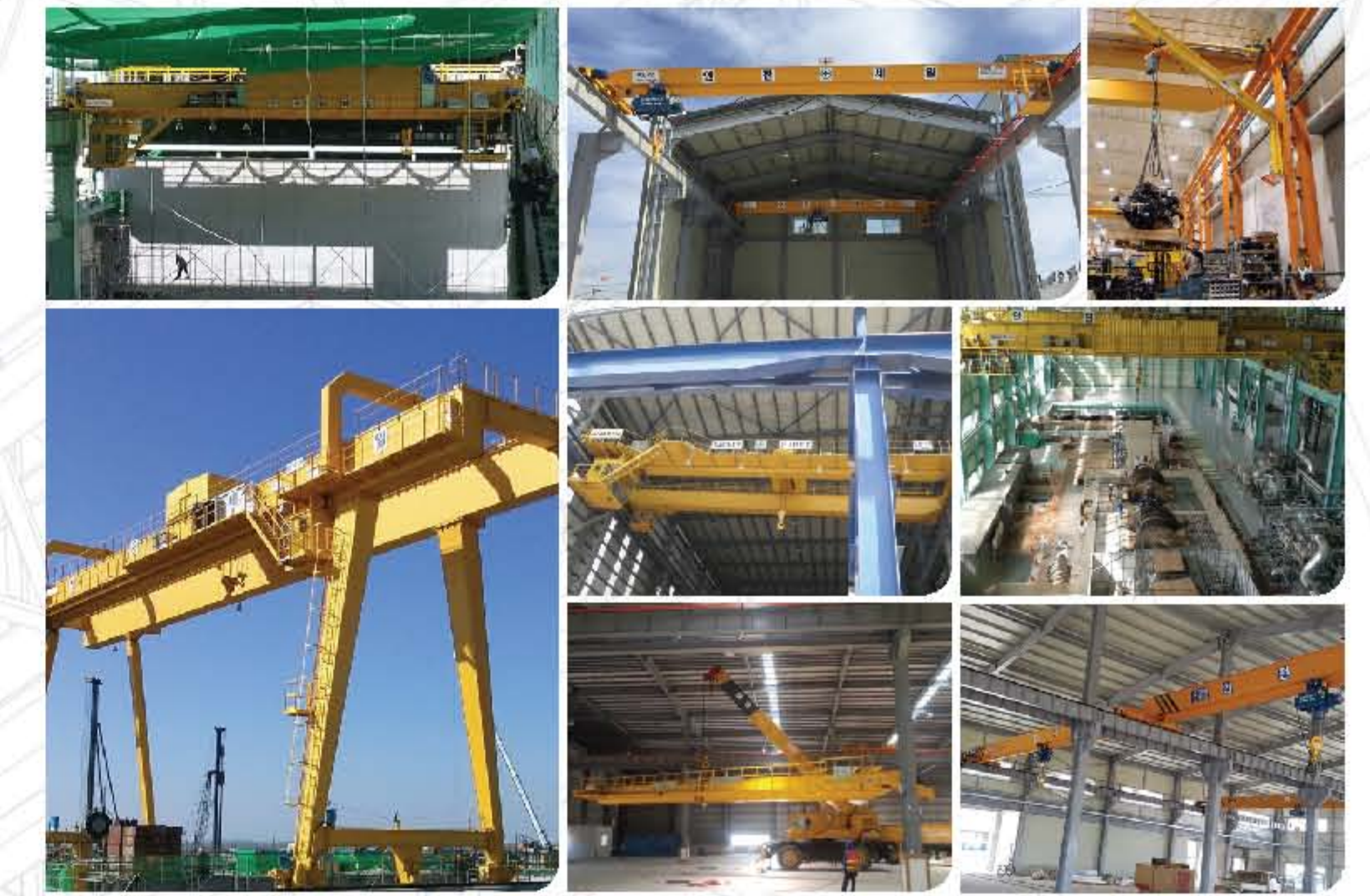


CRANE

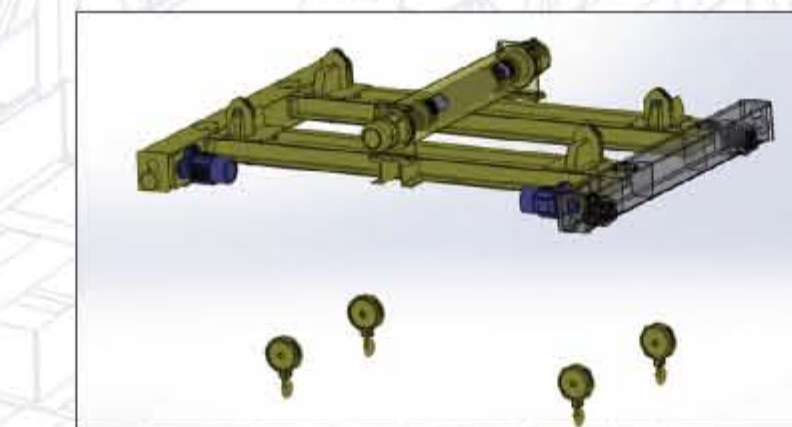
Korea Crane Engineering offers a complete line of overhead bridge cranes, with capacities from 1/2 ton to over 150 tons, using components to customize a crane for your specific material handling solution. Sophisticated computer aided designs optimize the choice of components resulting in efficient, cost competitive cranes with quick shipment.

Our customers benefit from our broad selection of equipment. Each application is evaluated and matched with equipment that meets your requirements.

We specialize in an extensive selection of rugged chain and wire rope hoists and all types of complete overhead bridge cranes for CMAA Class "D" or less service duty. Everything is done based on Engineering by veteran with years of experience



NEW PRODUCT



Ordinary hoists are connected by single wire rope, but always in the case of lifting the huge size or wide area, the lifting of the de-largest holding the center of gravity if there is trouble on the job. The risk of accidents in the works have been followed. Also, we can think the other case. One hook connecting majority of rope to heavy and huge material can not lift stably and safely at the same. Then, we invented our new product. It is by synchronizing a plurality of hook by a single drive element, as a result, the multi-rope hoist of the new synchronous structure is to enable stable operation.

CONDUCT BAR

INSULATION AI HEAVY BAR is electrically safe and highly efficient. Due to its electrical safety and high efficiency, it was selected and is currently used as the power supply equipment of cranes in shipbuilding yard of prominent local ship manufacturers and Daewoo, China ship building. COPPER HEAD RAILS are durable and suitable for installation, useful in places exposed to high temperature. Its excellence as a power supply equipment for cranes has been tested in POSCO, INI Steel, DKS, Manufacturing Plants and in other manufacturing plants. CABLE SYSTEM can be manufactured in different form using different material depending on the capacity and material of the crane hoist. It may be in the form of I-beam, H-beam type, square bar type, rail type or track type depending on the requirement and request of the client. It can also be manufactured using different materials in the form of stainless steel, aluminum, steel and other materials.

