

Start Here, Make Difference, Only T Type Water Meter,
Licensed Technology by Timely Co. www.timelycn.com

MULTI-JET AntiSlip AntiMagnetic Dry Dial WATER METER

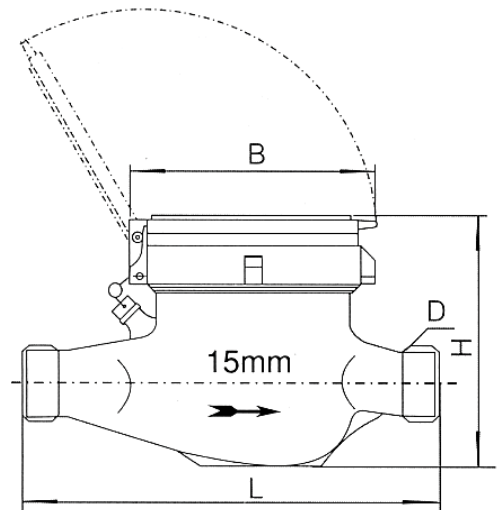
Model: TC-15E~50E cold water meter

Model: TH-15E~50E hot water meter

Model: TSH-15E~50E super hot water meter

Brass body, Stainless steel body, Iron body and Plastic body on Request

- AntiSlip AntiMagnetic Multi-jet dry dial meter for cold and hot water
- Nominal flow rate Q_n 1.5 to 15 m³/h or Q_3 2.5 to 25 m³/h
- Approval metrological ISO406 class B·H / R100, and C·H / R160
- Good readability even at extreme operational conditions
- Hermetically sealed register, none foggy water meter



Model TC-15E~50E water meter for Cold water and Model: TH-15E~50E water meter for hot water Is designed by Timely Co. engineer seasoned in water meter and manufactured by using advanced technology, in which, the register device is combined pointers and rolling counters which is convenient, clear and correct for reading as well as nice appearance.

The register system is designed by means of low speed magnetic-drive avoiding magnetic coupling slip in high flow rate however remaining high sensitivity in low flow rate, hermetically sealed in vacuum condition, completely separated with pipeline water.

The T type water meters are high accuracy of measurement, steady error curve of whole range flow rate, the performance is more advanced than existing traditional design water meter.

APPLICATION:

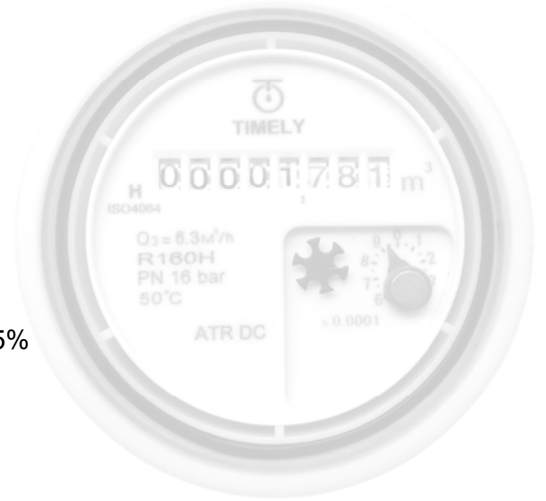
Measuring the volume of cold/hot potable water passing through the pipeline.

FEATURES:

Dry Dial, None foggy register, AntiMagnetic and AntiSlip, Low speed magnetic drive, pointer-roller indicator, easy and long term clear reading, long work life etc. Available with remote output by pulse on request. Preparation for pulse 1litres/pulse (for 15/20/25/32mm) and 10litres/pulse(for 40/50mm).

WORKING CONDITION:

Water temperature: $\leq 50^{\circ}\text{C}$ for cold water meter
 $\leq 90^{\circ}\text{C}$ for hot water meter
 $\leq 150^{\circ}\text{C}$ for super hot water meter
Water pressure: $\leq 1.6\text{Mpa}$

**MAXIMUM PERMISSIBLE ERROR:**

In the lower zone from Q_{\min}/Q_1 inclusive up to but excluding Q_t/Q_2 is $\pm 5\%$
In the upper zone from Q_t/Q_2 inclusive up to and including Q_{\max}/Q_4 is
cold water meter $\pm 2\%$; hot water meter $\pm 3\%$.

NOTE: Technical data conform to International Standard ISO4064.

Multi-jet meter T Type

Typical performance characteristics metrological class B/R100, exceeds the demands of the metrological class C/R160 on request.

Performance characteristics	15mm	20mm	25mm	32mm	40mm	50mm
Starting flow for Class C/R160 l/h	5.5	10	12	18	25	45
Flow capacity at 1 bar pressure loss m ³ /h	3.3	5.5	7.2	12.8	22	32

MAIN TECHNICAL DATA

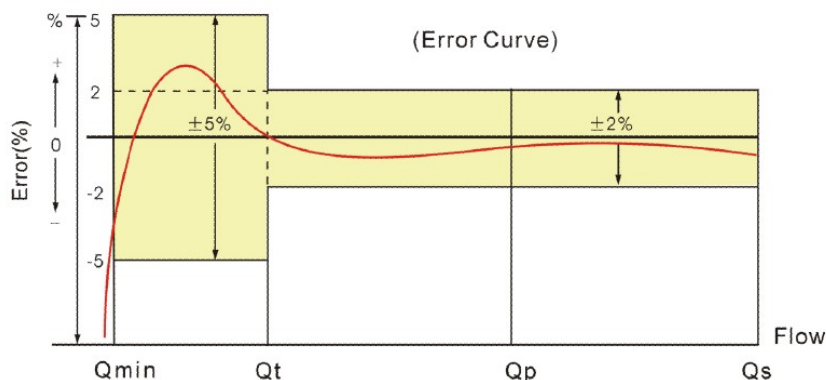
Type	Size mm	Class H	Q_{\max}/Q_4	Q_n/Q_3	Q_t/Q_2	Q_{\min}/Q_1	Min. Reading	Max. Reading
			Max. Flow	Nominal Flow	Transitional Flow	Min. Flow		
			m ³ /h		L/h		m ³	
TC-15E	15 (1/2")	B/R100	3 / 3.1	1.5 / 2.5	120 / 40	30 / 25	0.0001	99999
		C/R160			22.5 / 25	15 / 15		
TC-20E	20 (3/4")	B/R100	5 / 5	2.5 / 4	200 / 63	50 / 40	0.0001	99999
		C/R160			37.5 / 32	25 / 20		
TC-25E	25 (1")	B/R100	7 / 7.9	3.5 / 6.3	280 / 100	70 / 63	0.0001	99999
		C/R160			52.5 / 50	35 / 30		
TC-32E	32 (1-1/4")	B/R100	12 / 12.5	6.0 / 10	480 / 160	120 / 100	0.0001	99999
		C/R160			90 / 80	60 / 50		
TC-40E	40 (1-1/2")	B/R100	20 / 20	10 / 16	800 / 250	200 / 160	0.0001	999999
		C/R160			150 / 150	100 / 100		
TC-50E	50 (2")	B/R100	30 / 31.2	15 / 25	1200 / 400	300 / 250	0.0001	999999
		C/R160			225 / 250	150 / 150		

DIMENSIONS AND WEIGHT

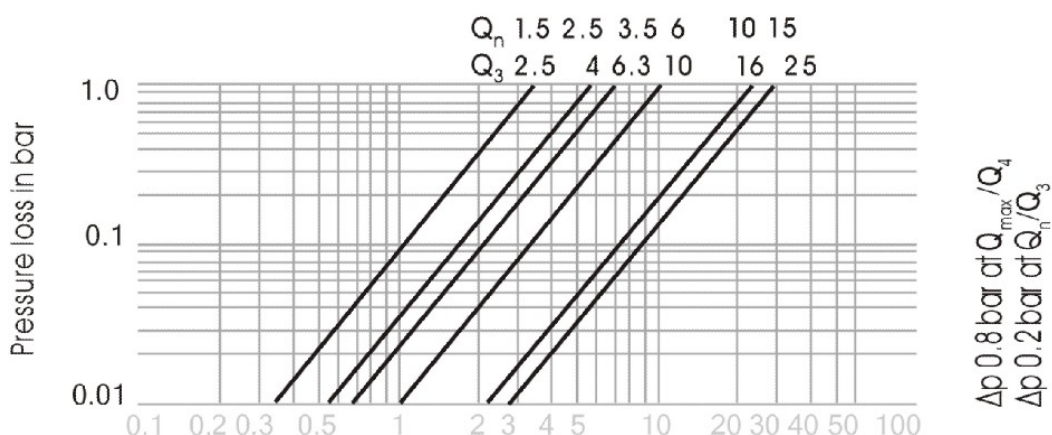
Type	Size	Length	Width	Height	Connecting Thread D	Weight (kg)
	mm					
TC-15E	15	165	99	104	G 3/4B	B1.4/P0.78
TC-20E	20	190	99	106	G 1B	B1.6/P0.85
TC-25E	25	260/225	103	114	G1 1/4B	2.6/2.4
TC-32E	32	260/230	104	114	G1 1/2B	2.8/2.7
TC-40E	40	300/245	124	147	G 2B	5.1/4.8
TC-50E	50	300/280	125	172	G2 1/2B	8.5/4.8
					Flange connect GB4216.4-84 D= \varnothing 165 D1= \varnothing 125	11.5/11

Note: 15mm: Brass body 1.4kg/Plastic body 0.78kg 20mm Brass body 1.6kg/Plastic body 0.85kg

FLOW ERROR CURVE



PRESSURE LOSS CURVE



INSTALLING AND USING:

When using it, if there are impurities (cotton fibre, scraps of paper, silt, etc.) in the pipe, which make the inlet strainer easily stopped up. And if you find the water meter goes fast or slow, even stops, you should go to the Water authorities to have it overhauled regularly in one or two years.

1. Thoroughly flush the service line upstream of the meter to remove dirt and debris.
2. Remove meter spud thread protectors.

NOTE: To protect the meter spud threads, store the meter with thread protectors in place.

3. Set the meter in the line. Install the meter in a horizontal plane, with the register upright, in a location accessible for reading, service and inspection. Arrows on the side of the meter and above the outlet spud indicate the direction of flow.
4. Do not overtighten connections; tighten only as required to seal. Do not use pipe sealant or Teflon tape on meter threads.
5. If meter is equipped with an electrical contacting head register, line up molded tabs on inside of reed switch with corresponding indentions of receptacle on face of meter. Insert reed switch and turn 1/4 turn to lock in place.
6. Tie black and red wires on opposite end of reed switch to corresponding black and red water meter wires on controller. Insulate connection with water-proof wrapping.
7. With upstream shutoff valve only:

Open shutoff valve slowly, to remove air from the meter and service line. Open a faucet slowly to allow entrapped air to escape. Close the faucet.

With both upstream and downstream shutoff valves installed:

To test the installation for leaks: Close the outlet (downstream) shutoff valve. Open the inlet (upstream) shutoff slowly until meter is full of water.

Open the outlet (downstream) valve slowly until air is out of meter and service line. Open a faucet slowly to allow entrapped air to escape. Close the faucet.

ADD: Unit B 3rd floor, No. 14 Zhenxing Road, Gongming town, Shenzhen, 518107, China

Tel: 0086-755-33260026, 33260025 Fax: 0086-755-33260027

Http: www.timelycn.com Email: timely@timelycn.com

