















AUTOTECH TRACTOR SPARE

MASSEY FERGUSON HYDRAULIC CONTROL PARTS

IMAGE	AT NO.	NAME OF PARTS	O.E.M (Ref. only)	MODEL
	901	CONTROL VALVE MARK-I	189427M 91	MF - 35
	902	CONTROL VALVE (A-MAX Modified) MARK-I	N. P. N.	MF - 35
	903	CONTROL VALVE MARK-II	897507M 92	MF - 133, 135E, 135 (FROM S/N 447440) 140, 148, 152, 165 (FROM S/N 136610) 168 (FROM S/N 255118) 175, 178, 185 (FROM S/N 320846) 188 (FROM S/N 361108) MK2 & MK3 PUMPS INDUSTRIAL MF-50
	904	CONTROL VALVE WITH SLEEVE (EXTRA LONG)	***	MARK - II
	905	CONTROL VALVE MARK-II	1862486 M96	MF - 135 (UPTO S/N 447439) FITTING AS STANDARD ON LATER MODELS MF- 133, 135E, 135, 140, 148, 152, 165, 168, 175, 178, 185, 188, INDUSTRIAL TRACTOR 20C, 50, MK2 & MK3 PUMP, 2135, 1080, 1085
	906	CONTROL VALVE WITH SLEEVE (THIN)	***	MF- MARK II

	907	CONTROL VALVE ASSY. (ROUND ROD)	1870763 M92	MF - 133, 135, 135E, 140, 148, 152, 165, 168, 175, 178, 185, 188, MK3 PUMP, 230, 235, 245, 255, 265, 275, 285, 290, 298, 550, 565, 575, 590, 675, 690, 698, 698T 699, INDUSTRIAL TRACTOR (20C, 20D, 20F, 30, 30B 30E, 40B, 40E, 50, 50C, 50E / EX, 135E)
	908	CONTROL VALVE (190 MM)	3611085 M91	MF - 240
	909	CONTROL VALVE ASSY. (SQUARE ROD)	1681789 M91	MF - 133, 135E, 135, 140, 148, 152, 165, 168, 175, 178, 185, 188, 230, 240, 250, 253, 265, 275, 285, 290, 298, 340, 342, 350, 352, 356, 360, 362, 365, 375, 390, 390T, 398, 399, 550, 565, 575, 590, 675, 690, 698, 698T, 699, 1080, 1200, MK2 & MK3 PUMP, INDU
	910	CONTROL VALVE WITH SLEEVE 245 TYPE	1681789 M91	***
	911	CONTROL VALVE WITH SLEEVE (THICK)	1617141 M91	MF - 285 (US MODEL), 1080, 1085
	912	CONTROL VALVE (set of TWO pcs)	1053	TED - 20

	913	RELIEF VALVE (SAFETY VALVE) PRESSURE 2300-2800 PSI	190537M 91	MF - 35, 65, 765
	914	RELIEF VALVE (SAFETY VALVE MODIFIED) PRESSURE 2300-2800 PSI COLOR CODE: - SELF COLOR	828927M 91	MF - 35
	915	RELIEF VALVE (SAFETY VALVE MODIFIED) PRESSURE 2500-3000 PSI COLOR CODE:- YELLOW	883402M 92	MF - 135, 165, 175, 178, 185, 188, 203, 203 XMK2, 205, 205 XMK2, 230, 240, 245, 250
	916	RELIEF VALVE (SAFETY VALVE) PRESSURE 2700-3200 PSI COLOR CODE:- BLACK	884747M 92	MF - 135, 165, 175, 178, 230, 240, 250, 253, 265, 275, 285, 290, 340, 342, 350, 352, 355, 362, 372, 375, 382, 390, INDUSTRIAL TRACTOR (30B, 30D, 30E, 40B, 40E, 50C, 50E / EX) 390T, 1080, 1085
	917	SAFETY VALVE MODIFIED	560.02.21 0	IMT
	918	RELIEF VALVE ROUND BODY (3000 PSI)	1662590 M91	PERU MF
	919	RELIEF VALVE HEX BODY	3401834 M91	MF-399
	920	RELIEF VALVE (2050 PSI)	204887	TED-20



921 PRESSURE CONTROL UNIT 1680061 MF - 240, 265, 285
 ASSY. M91



922 CHAMBER REPAIR KIT (SET 1810678
 OF 32 PCS) CONSISTING OF M91
 INLET VALVE - 4, OUTLET 830997M
 VALVE - 4, SPRING (4+4) - 91
 8

ALL MF MODEL
 AFTER TE20 L.E.
 MK1, MK2, MK3, 35,
 35X, 65, FE35135,
 148, 150, 165, 168,
 175, 178, 185, 188,
 230, 240, 250, 265,
 275, 285, 290, 298,
 340, 342, 350, 352,
 353, 355, 360, 362,
 365, 372, 375, 382,
 390, 390T, 398, 399,
 550, 565575, 590,
 595, 675,



923 CHAMBER REPAIR KIT (3 ***
 TYPE LOCK)

ALL MF MODEL
 AFTER TE20 L.E.
 MK1, MK2, MK3, 35,
 35X, 65, FE35135,
 148, 150, 165, 168,
 175, 178, 185, 188,
 230, 240, 250, 265,
 275, 285, 290, 298,
 340, 342, 350, 352,
 353, 355, 360, 362,
 365, 372, 375, 382,
 390, 390T, 398, 399,
 550, 565575, 590,
 595, 675,



924 CHAMBER REPAIR KIT 2496 TED - 20

MASSEY FERGUSON
 HYDRAULIC LIFT PUMP COPMLET



925 HYD.LIFT PUMP ASSY. 184472M
 93
 180473M : 35, 65, 765
 93184473
 M93

926 HYD. LIFT PUMP ASSY. 532.02.10 IMT
 (23MM) 0



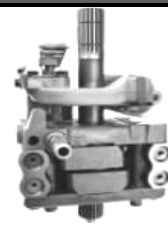
927 HYD. LIFT PUMP ASSY. 713916M MF - 1035 DI
91



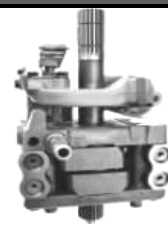
928 HYD.LIFT PUMP ASSY. 899205M MF 135,165
91



929 HYD.LIFT PUMP ASSY. (10 SPLINE MARK II) 1684582 MF 135, 148, 165,
M92 175, 175, 185, 188



931 HYD.LIFT PUMP ASSY. (CURVE TYPE LEVER) 3761330K MF 240
(PRESSURE-2300/2800 P.S.I.) 91



932 HYD. LIFT PUMP ASSY. (CURVE TYPE LEVER) 3761332K MF-240
(PRESSURE-2800/3200 P.S.I.) 91



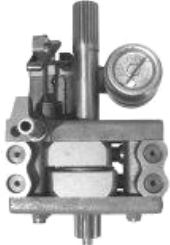
934 HYD. LIFT PUMP ASSY (WITH PRESSURE CONTROL UNIT) 1672251 MF240, 265, 285
M92, 1683301 M92, 1872449 M96, 1868439 M98



935 HYD. LIFT PUMP ASSY. (WITH PRESSURE CONTROL UNIT) CURVE LEVER TYPE 3773700 MF - 285
M92



936 HYD. LIFT PUMP ASSY. 3701159 MF - 399
M91



937 HYD. LIFT PUMP ASSY. *** MF J-SERIES

938 HYD. LIFT PUMP ASSY. (CAM SHAFT ONE SIDE 10 TEETH & ANOTHER SIDE 21 TEETH) Mfg. By. A-MAX Type *** MAHAMAHAN

**MASSEY FERGUSON
HYDRAULIC LIFT PUMP REPAIR KITS**



939 HYD. PUMP REPAIR KIT *** MF - 35



940 HYD. PUMP REPAIR KIT (23MM) 9923472T IMT - 533
02

941 HYD. PUMP MAJOR KIT (23MM and 25MM) *** IMT



942 HYD. PUMP REPAIR KIT *** MF - 135



943 HYD. PUMP REPAIR KIT N. P. N. MARK - II



944 HYD. PUMP REPAIR KIT (WITH SHORT CONTROL VALVE) *** MF - 240



945 HYD. PUMP REPAIR KIT N. P. N. MF - 245



946 HYD. PUMP MAJOR KIT 1810858 MF - 35
M91



947 HYD. PUMP MAJOR KIT 1810859 MF - 135
M91



948 HYD. PUMP MAJOR KIT 1810860 MF - 245
M91



949 HYD. PUMP MINOR KIT 1810858 MF - 35, 65, 765
M91



950 HYD. PUMP MINOR KIT 1810859 MF - 135, 148, 165,
M91 168, 178, 185, 188,
240, 265, 285



951 HYD. PUMP MINOR KIT 1810680 MF - 135, 148, 158,
M93 165, 168, 175, 178,
185, 188, 275, 550,
565, 575, 590, 230,
240, 245, 250, 265,
285, 290, 298, 350,
353, 360, 362, 365,
340, 342, 372, 375,
390, 390T, 398, 399,
675, 690, 698, 698T,
699, MK-2 & MK-3
PUMP INDUSTRIAL
20C, 20D, 20F, 30B,



952 HYD. PUMP MINOR KIT (23MM) N. P. N. IMT



953 HYD. PUMP MINOR KIT (25MM) N. P. N. IMT

**MASSEY FERGUSON
HYDRAULIC LIFT PUMP PARTS**



954 VALVE CHAMBER BODY ASSY. 194471M
1
184471M
1 MF - 35, 65, 765
1810678
M91
181999M
1

955 VALVE CHAMBER BODY ASSY. (23MM) N. P. N. IMT



956 VALVE CHAMBER BODY ASSY. 897491M MF - 135 (FROM S/N
1 116248) 148, 165
1810678 (FROM S/N 58205)
M91 168, 178, 185, 188,
181999M 240, 265, 285, MK-II
1 PUMP

957 VALVE CHAMBER BODY ASSY. 1810680 MF - 245
M92

958 VALVE CHAMBER BODY ASSY. (25MM) N. P. N. IMT



959 VALVE CHAMBER 184471M MF 35,65,765
1

960 VALVE CHAMBER BODY (23MM) 51200296 (K) IMT



961 VALVE CHAMBER BODY 897491M
1

MF - 135 (FROM S/N
116248) 148, 165
(FROM S/N 58205)
168, 178, 185, 188,
240, 265, 285, MK-2
PUMP

962 VALVE CHAMBER BODY 1868434
M3
1868734
M3

MF - 135, 148, 158,
165, 168, 175, 178,
185, 188, 275, 550,
565, 575, 590, 230,
240, 245, 250, 265,
285, 290, 298, 350,
353, 360, 362, 365,
340, 342, 372, 375,
390, 390T, 398, 399,
675, 690, 698, 698T,
699, MK-2 & MK-3
PUMP INDUSTRIAL
20C, 20D, 20F, 30B,

963 VALVE CHAMBER BODY
(25MM) 56002106
(K) IMT



964 HYD. LIFT PUMP BODY
FRONT 182006M
91

MF - 35, 65, 765



965 HYD. LIFT PUMP BODY
FRONT 897487M
91

MF - 135, 165, 175,
178



966 HYD. LIFT PUMP BODY
FRONT 1665499
M91

MF - 245, 240



967 HYD. LIFT PUMP BODY
FRONT 4243743E
01

MAHAMAHAN



968 HYD. LIFT PUMP BODY
REAR 182005M
93

MF - 35, 65, 765



969 HYD. LIFT PUMP BODY REAR 897488M 91 MF - 135, 165, 175, 178



970 HYD. LIFT PUMP BODY REAR 1665609 M92 MF - 245, 240



971 HYD. LIFT PUMP BODY REAR 1665609 M92 MF - 285



972 HYD. LIFT PUMP CAM SHAFT (10 SPLINE) 181994M 1 FE - 35 (FROM S/N 65684) MF - 35, 35X, 65, 765



973 HYD. LIFT PUMP CAM SHAFT (21 SPLINE) 1868545 M2 MF - DI



974 HYD. LIFT PUMP CAM SHAFT (10 SPLINE) 899154M 91 MF - 135, 165, 175, 178



975 HYD. LIFT PUMP CAM SHAFT (10 SPLINE) *** MARK - II



976 HYD. LIFT PUMP CAM SHAFT (21 SPLINE) 1868545 M2 MARK - II

	977	HYD. LIFT PUMP CAM SHAFT (21 SPLINE)	1865545 M2	MF - 148, 165, 168, 185, 188, 240, 245, 250, 265, 275, 285, 290, 298, 350, 355, 365, 375, 390, 398, 399, 550, 565, 675, 690, 698, 698T, 699, 1080
	978	HYD. LIFT PUMP CAM SHAFT	1868545 M2	MF - 285
	979	HYD. LIFT PUMP CAM SHAFT	3613194 M1	MF - 399
	980	HYD. LIFT PUMP CAM SHAFT	1871782	MAHAMAHAN
	981	HYD. LIFT PUMP CAM SHAFT (DOUBLE CAM BUSH)	9002 250 M 91	MF-1215
	982	HYD. PUMP COUPLING	180926M 1	MF 35, 65, 765
	983	HYD. PUMP COUPLING	1868538 M4	MF - DI / 245
	984	HYD. PUMP SQUARE PISTON (23MM DIA)	190799M 1	FE35 (FROM S/N 565, 684) MF - 35, 35X, 65, 765

	985	HYD. PUMP SQUARE PISTON	1860038 M1	ALL MF MODEL AFTER MF - 65, 135, 148, 158, 165, 168, 175, 178, 185, 188, 230, 240, 250, 265, 275, 285, 290, 298, 340, 342, 350, 353, 360, 362, 365, 372, 375, 390, 390T, 398, 399, 550, 575, 590, 595, 675, 690, 698, 698T, 699, 1080, 1200, MK-2 & MK-3 PUMPS
	986	HYD. PUMP SQUARE PISTON	4009	TED - 20
	987	HYD. PUMP SQUARE PISTON (23MM)	51200297	IMT -
	988	HYD. PUMP SQUARE PISTON (25MM)	560.02.10 4	IMT -
	989	HYD. PUMP SQUARE PISTON RINGS (23MM DIA) (set of 4 pcs)	190848M 1	MF - 35, 65, 765
	990	HYD. PUMP SQUARE PISTON RING SET (set of 4 pcs)	897493M 1	MF - 245
	991	HYD. PUMP SQUARE PISTON RING SET (25MM) (set of 4 pcs)	560.02.10 5	IMT



992

CAM BLOCK FRONT WITH LIP, BACK WITHOUT LIP

(SET OF 2 PCS)

180 924
M2 180
925 M2

ALL MF MODEL
AFTER TE20 MF 35
65 765 135 150 148
158 165 168 175
178 180 185 188
202 203 204 205
230 240 245 250
265 275 285 290
298 340 342 350
352 353 355 360
362 365 372 375
382 382N F40 MH50
TO35 390 390T 398
399 550 565 575
FE35 575 590 595
675 690 6



993

CAM BLOCK (COLLER TYPE)

180924M
02

MF - 35



994

CAM BLOCK BUSH
(WITHOUT COLLER TYPE)

180925M
02

MF - 35



995

CAM BLOCK BUSH CUT TYPE

9000 976
M 1

MF - 1215



996

CAM BLOCK BUSH SET

1042

TED - 20



997

HYD. PUMP BODY BUSH

195 949
M1

ALL MF MODEL
AFTER TE20 MF 35
65 765 135 150 148
158 165 168 175
178 180 185 188
202 203 204 205
230 240 245 250
265 275 285 290
298 340 342 350
352 353 355 360
362 365 372 375
382 382N F40 MH50
TO35 390 390T 398
399 550 565 575
FE35 575 590 595
675 690 6



998 HYD. PUMP BODY BUSH BI-METAL 1664491 M1 ***



999 HYD. PUMP BODY BUSH BRASS 1059 TED - 20



1000 HYD. PUMP CONTROL VALVE LEVER 180952M 91 MF - 35, 65, 765



1001 HYD. PUMP CONTROL VALVE LEVER 189370M 91 MF - 35, 65, 765



1002 HYD. PUMP CONTROL VALVE LEVER 897516M 91 MF - 135



1003 HYD. PUMP CONTROL VALVE LEVER *** MARK - II



1004 HYD. PUMP CONTROL VALVE LEVER 1868471 M91 MF - 135, 148, 165, 175, 185, 230, 235, 240, 245, 250, 255, 265, 270, 275, 285 (283 BRAZIL) & MK-3 PUMPS



1005 HYD. PUMP CONTROL VALVE LEVER (CURVE TYPE) 3610175 M91 MF - 240, 245, 285



1006 HYD. PUMP FILTER
(STRAINER) **185551M** MF - 35
92



1007 HYD. PUMP FILTER
(STRAINER) **1660715** MF - 245, 240
M92



1008 HYD. PUMP FILTER
(STRAINER) 9002 971 MF - 1215
M 91



1009 HYD. PUMP FILTER
(STRAINER) HOUSING
(ALLUMINIUM) 189373M1 MF - 35, 65, 765



1010 HYD. PUMP FILTER
(STRAINER) HOUSING
(ALLUMINIUM) 886459M9 MARK - II
1



1011 HYD. PUMP FILTER
(STRAINER) HOUSING
(ALLUMINIUM) (CURVE TYPE
LEVER) *** MF - 245

1012 HYD. PUMP FILTER
(STRAINER) HOUSING
(ALLUMINIUM) 1870072M MF - 245, 240
2

1013 HYD. PUMP FILTER COVER
STEEL N/M *** MF - 35

1014 HYD. PUMP FILTER COVER
STEEL O/M 189367M0 MF - 35
2



1015 HYD. PUMP FILTER COVER
STEEL *** MF - 135



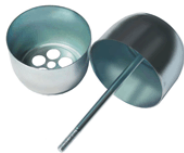
1016 HYD. PUMP FILTER COVER STEEL *** MARK - II



1017 HYD. PUMP FILTER COVER STEEL 3599748 MF - 245 (CURVE TYPE)



1018 HYD. PUMP FILTER COVER STEEL 1870807M1 MF - 245



1019 HYD. PUMP FILTER BODY (CAP & BOWL) 185839M1 MF - 35, 65, 765
185555M1



1020 HYD. PUMP FILTER CAP 1671633M1 MF - 245



1021 HYD. PUMP FILTER COVER GASKET O/M 189366M0 MF - 35



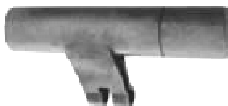
1022 HYD. PUMP OSCILLATOR BODY 182002M1 MF - 35, 65, 765



1023 HYD. PUMP OSCILLATOR BODY 897 496 MF 135
M91



1024 HYD. PUMP OSCILLATOR BODY 1869 826 MF 240, 245
M93



1025 HYD. PUMP OSCILLATOR BODY *** IMT



1026 HYD. PUMP OSCILLATOR LINK 180934M0
1 MF - 35



1027 HYD. PUMP OSCILLATOR LINK
SCREW 195568M0
1 MF - 35



1028 HYD. PUMP OSCILLATOR LINK
PIN 354187X01 MF - 35



1029 HYD. PUMP OSCILLATOR BODY
SNAP RING 180941M0
1 MF - 35



1030 HYD. PUMP OSCILLATOR BODY
LOCK EXTERNAL 195946M0
1 MF - 35



1031 HYD. PUMP OSCILLATOR BODY
LOCK INTERNAL 195576M0
1 MF - 35



1032 DRIVE RETAINER DISC 180942M0
2 MF - 35



1033 HYD. PUMP CONTROL VALVE
PIN (ROUND HEAD) 189364M9
1 MF - 35, 65, 765



1034 HYD. PUMP CONTROL VALVE
PIN (SQUARE HEAD) 180937M9
1 MF - 35, 65, 765



1035 HYD. PUMP CONTROL VALVE
SPRING 180940M9
1 MF - 35, 65, 765



1036 HYD. PUMP CONTROL VALVE
SLEEVE 183838M0
1 MF - 35



1037 HYD. PUMP CONTROL VALVE
SPACER 180947M0
1 MF - 35

	1038	HYD. PUMP CONTROL VALVE WASHER BIG	180948M0 1	MF - 35
	1039	HYD. PUMP CAM FLOWER	180 933 M1	MF 165 240 285 FE35 F40 MH50 TO35 1080 1085 135 150 175 180 20 20C 20D 20F 202 203 204 205 2200 230 231 235 390 390T 699 (FE 135 COVENTRY)(2135 TURF, UTIL NARROW)
	1040	CAM SHAFT RING	9001 208 M 1	MF - 1215
	1041	CONTROL VALVE LEVER GUIDE BRACKET	189368M0 1	MF - 35
	1042	HYD. PUMP CONTROL VALVE GUIDE SQUARE	N. P. N.	MF - 135
	1043	HYD. PUMP CONTROL VALVE GUIDE SQUARE	1862576M 2	MF - 245, 240
	1044	HYD. PUMP CONTROL VALVE ROLLER WITH PIN	897599M1 897504M1	MF - 245
	1045	HYD. LIFT PUMP BEARING B-108	M22551	MF - 35, 135, 240, 245, 285
	1046	HYD. PUMP VALVE CHAMBER PLUG	181999M1	MF - 35, 65, 765, 135, 165, 175, 178
	1047	HYD. PUMP VALVE CHAMBER PLUG	1868741M 1	MF - 1080, 1085, 1100, 1130, 135, 150, 165, 175, 180, 20, 20C, 20D, 20F, 202, 203, 204, 205, 220, 230, 235, 240, 245,

250, 40B, 40E, 50C,
50D, 50E, 670, 690
(FE-135 COVENTRY)
(2135 TURF UTIL
NARROW)

1048 HYD. PUMP VALVE CHAMBER
PLUG 1868741M
1 MK - II



1049 LIFT PUMP DOWEL (PIN PUMP
SUPPORT) 180905M1 MF - 35, 65, 765



1050 HYD. LIFT PUMP DOWEL 898643M1 MF - 245



1051 HYD. LIFT HEAD ASSY. N. P. N. MF - 35

1052 HYD. LIFT HEAD ASSY. N. P. N. MF - 245



1053 HYD. LIFT HEAD 1870951M
1 897558M1 MF - 245



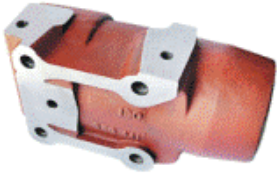
1054 HYD. LIFT HEAD N. P. N. MF - 35 ,1035



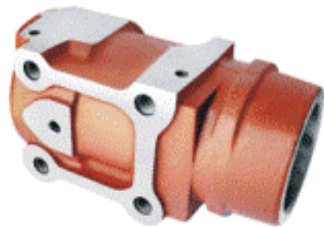
1055 RAM CYLINDER WITH PISTON
& RING ASSY. N. P. N. MF - 35

1056 RAM CYLINDER WITH PISTON
& RING ASSY. N.P.N. MF - 245

1057	RAM CYLINDER WITH PISTON & RING ASSY.	N. P. N.	MF - 285
1058	RAM CYLINDER WITH PISTON & RING ASSY.	N. P. N.	MAHAMAHAN



1059	RAM CYLINDER	190598M1	MF - 35, 65, 765
-------------	--------------	----------	------------------



1060	RAM CYLINDER 3-1/8"	897560M3	MF - 135, 148, 150, 165, 230, 235, 240, 245, 250, 282, 550, 20, 20C, 20D, 30, 30E, 40, 202, 203, 204, 205, 302, 304, 2135, 3165
-------------	---------------------	----------	---



1061	RAM CYLINDER 3-3/8"	1671082M1	MF - 135, 165, 175, 180, 230, 235, 245, 255, 261, 265, 270, 271, 275, 281, 283, 285, 290, 298, 670, 690, 698, 699, 265-S & 285-S (TURKEY), 20, 20C, 30, 31, 40, 50C
1062	RAM CYLINDER	0190859	MAHAMAHAN
1063	RAM CYLINDER	1693921M1	MF - 398T
1064	RAM CYLINDER	886348M02	MF -***



1065	RAM CYLINDER PISTON (3 RING GROOVE)	713288M92	MF - 35, 65, 765
-------------	-------------------------------------	-----------	------------------



1066	RAM CYLINDER PISTON (3 RING & 1 RUBBER RING TYPE)	713288M91	MF - 35, 65, 765
-------------	---	-----------	------------------



1067	RAM CYLINDER PISTON (3 RING GROOVE) 3-1/8"	1665737M 91	20C, 20D, 20F, 230, 240, 245, 250, 253, 255, 265, 275, 30B, 30E, 40B, 40E, 50C
-------------	--	----------------	---

1068	RAM CYLINDER PISTON (SINGLE RING GROOVE)	***	20C, 20D, 20F, 230, 240, 245, 250, 253, 255, 265, 275, 30B, 30E, 40B, 40E, 50C
-------------	--	-----	---



1069	RAM CYLINDER PISTON (SINGLE GROOVE TYPE)	1665738M 1	MF - 285
-------------	--	---------------	----------



1070	RAM CYLINDER PISTON (TRIPLE STEEL RING GROOVE TYPE)	181983M1	MF - 285
-------------	---	----------	----------



1071	RAM CYLINDER PISTON	***	MAHAMAHAN
-------------	---------------------	-----	-----------

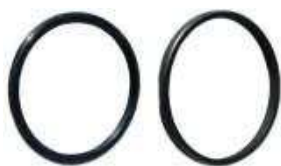
1072	RAM CYLINDER PISTON	1693921M 93	MF - 398T
-------------	---------------------	----------------	-----------

1073	RAM CYLINDER PISTON RING (SET OF 3 PCS) (76MM)	184447M1	MF - 35, 65, 765
-------------	--	----------	------------------



1074	RAM CYLINDER PISTON RING 3-1/8" (79MM)	897564M1	20C, 20D, 20F, 230, 240, 245, 250, 253, 255, 265, 275, 30B, 30E, 40B, 40E, 50C
-------------	--	----------	---

1075	RAM CYLINDER PISTON RING SET (SET OF 3 STEEL RING) (85MM)	897597M1	MF
-------------	---	----------	----



	RAM CYLINDER PISTON BACKUP WASHER (SET OF 2 PCS) (79MM)	1665685M 91	20C, 20D, 20F, 230, 240, 245, 250, 253, 255, 265, 275, 30B, 30E, 40B, 40E, 50C
--	---	----------------	---

1076	RAM CYLINDER PISTON TEFLON RING WITH RUBBER RING (85MM)	1665684M 91	MF - 285
-------------	---	----------------	----------

1077	RAM CYLINDER PISTON RING SET	1693932M 91	MF - 398T
-------------	------------------------------	----------------	-----------

1078	RAM CYLINDER PISTON	***	MAHAMAHAN
-------------	---------------------	-----	-----------

TEFLON RING WITH RUBBER RING (93MM)



1079 HYD. LIFT RAM ROD 191211M1 MF - 35, 65, 765



1080 HYD. LIFT RAM ROD 886410M1 MF - 135, 148, 152, 155, 158, 165, 168, 178, 185, 188, 230 (UP TO S/N U24001) 240, 250, 260, 265, 275, 285, 290, 298, 550, 560, 565, 575, 590, 595, 675, 690, 698, 698T, 699, 1080, 1200, 1250

1081 HYD. LIFT RAM ROD *** MAHAMAHAN



1082 HYD. LIFT RAM ROD PIN N/M 195583M1 MF - 35



1083 LIFT HEAD QUADRANT ASSY. N. P. N. MF - 35

1084 LIFT HEAD QUADRANT ASSY. N. P. N. MF - 245



1085 DRAFT CONTROL QUADRANT 181032M1 MF - 35



1086 POSITION CONTROL QUADRANT 181026M9 2 MF - 35



1087 DRAFT CONTROL QUADRANT MF - 245

898184M1

1088 POSITION CONTROL QUADRANT 898200M1 MF - 245



1089 HYD. LIFT ARM SHAFT (SINGLE HOLE) *** MF - 35, 65, 765

1090 HYD. LIFT ARM SHAFT (DOUBLE HOLE) 713286M1 MF - 35, 65, 765

	1091	HYD. LIFT ARM SHAFT (TRIPPLE HOLE)	N. P. N.	MF - 35
	1092	HYD. LIFT ARM SHAFT	899149M3	MF - 135 (FROM S/N 33579) 148, 152, 155, 158, 165, 168, 175, 178, 185, 188, 230, 240, 250, 260, 265, 275, 285, 290, 298, 340, 342, 350, 352, 355, 360 (FROM S/N B18009) 362, 365, 372, 375, 382N, 390, 390T, 398, 399, 550, 560, 565, 575, 590, 595, 675, 690,
	1093	HYD. LIFT ARM SHAFT BUSH (SINTERED)	181 018 M1	MF 35, 65, 765
	1094	HYD. LIFT ARM SHAFT BUSH (SINTERED)	1870 934 M1	MF 245, 240
	1095	HYD. LIFT ARM SHAFT BUSH LONG (BI-METAL)	1870934M 1	MF - 245
	1096	HYD. LIFT RAM ARM	180970M2	MF - 35, 65, 765
	1097	HYD. LIFT RAM ARM	886 405 M1	FE135 135 150 165 20 20C 20D 20E 20F 202 203 204 205 2135 2200 2320 231 235 240 245 250 265 30 30E
	1098	HYD. LIFT RAM ARM	3610357M 1	MF - 285
	1099	HYD. LIFT SIDE ARM	713 287 M1	MF 35, 65, 765



1100 HYD. LIFT SIDE ARM

897 575
M1

MF 245, 240



1101 HYD. LIFT SIDE ARM

1680033M
1

MF - 285



1102 HYD. LIFT POSITION CONTROL
LINK ASSY

180 993
M91

MF 35, 65, 765



1103 HYD. LIFT POSITION CONTROL
LINK ASSY.

1661918M
91

MF - 245



1104 HYD. LIFT POSITION CONTROL
LINK ASSY. WITH SPRING

MF-240,245



1105 HYD. LIFT DRAFT CONTROL
LINK ASSY.

180 983
M91

MF 35, 65, 765



1106 HYD. LIFT DRAFT CONTROL
LINK ASSY.

1660324M
91

MF - 245



1107 HYD. LIFT DRAFT CONTROL
LINK ASSY. WITH SPRING &
DRAFT CONTROL ROD



1108 LIFT SHAFT LINK

180 997
M1

MF 35,65,765



1109 HYD. LIFT POSITION CONTROL FORK

190 885
M91

MF 35, 65, 765



1110 LIFT LEVER & CAM ASSY

1869 093
M93

MF 245,240



1111 HYD. LIFT POSITION CONTROL LEVER

181 039
M91

MF 35,65,765



1112 LIFT POSITION CONTROL LEVER

1870 341
M92

MF 245,240



1113 HYD. LIFT DRAFT CONTROL FORK

190 884
M91

MF 35, 65, 765



1114 LIFT CAM ASSY

1661 547
M91

MF 245,240



1115 HYD. LIFT DRAFT CONTROL LEVER

181 038
M91










MF 35,65,765



1116 LIFT DRAFT CONTROL LEVER

1870 340
M91

MF 240,245

	1117	HYD. LIFT POSITION CONTROL SHAFT	181 022 M93	MF 35,65,765
	1118	HYD. LIFT POSITION CONTROL SHAFT	001160449 1	MF - 240
	1119	HYD. LIFT POSITION CONTROL SHAFT	1870219M 93	MF 245, 240
	1120	HYD. LIFT DRAFT CONTROL SHAFT	181 019 M93	MF 35,65,765
	1121	HYD. LIFT DRAFT CONTROL SHAFT	1870243M 92	MF - 245, 240
	1122	HYD. LIFT DRAFT CONTROL ROD	190855M1	MF 35, 65, 765
	1123	HYD. LIFT DRAFT CONTROL ROD	898 124 M1, 894128 M1	MF 135 148 152 155 165 168 175 178 185 188 230 240 250 260 265 275 285 290 340 342 350 352 355 360 362 365 372 375 382N 390 390T 550 560 565 575 590 675 690 698 698T 699
	1124	HYD. LIFT DRAFT CONTROL PIN	180990M0 1	MF - 35
	1125	LIFT LEVER GUIDE WITH NYLON NUT	181011M1 195663M1	MF - 35
	1126	LIFT LEVER GUIDE SPRING	180012M1	MF - 35



1127 HYD. LINK ASSY. SPRING

1660323M
1

MF - 245



1128 LEVER SUPPORT BRACKET

181010M0
2

MF - 35



1129 LEVER SUPPORT BRACKET

1661617M
91

MF - 245

1130 LEVER SUPPORT BRACKET

1869100M
91

MF - 285



1131 HYD. LIFT ROLLER WITH PIN RIVET & BUSH SET

181 015
THICK,
181 016
PIN, 180
991 THIN

MF 35,65,765



1132 HYD. LIFT ROLLER WITH PIN

181015M1,
181016M1

MF - 35,65,765



1133 HYD. LIFT ROLLER WITH BUSH & REVET

180991M1

MF-35, 65, 765



1134 HYD. LIFT ROLLER WITH PIN, RIVET & BUSH (SET OF 9 PCS.)

898 125
M1 898
196 M2
898 194
M1 891
189 M2

MF 135,240,245



1135 ECCENTRIC CAM ROLLER

181 008
M1

MF 35,65,765



1136 HYD. LIFT CLEVIS WITH PLUNGER (FORGING)

180 972
M2 182
580 M1

MF 35,65,135(TO S/N 98068) 148, 165(TO S/N 594970) 168, 175, 178(TO S/N 746014)185, 188, 230, 240(TO S/N

522354)250, 265, 275,
285, 290, 298, 350,
355, 365, 375, 390,
398, 399, 550, 565,
575, 590, 595, 675,
690, 698, 698T, 699,
765, 1080 MK 2 & MK
3 PUMPS

1137 HYD. LIFT CLEVIS WITH
PLUNGER 180972M2,
886348M2 MF - 245

1138 HYD. LIFT CLEVIS WITH
PLUNGER 1863389M
1,
886348M2 MF - 285



1139 HYD. LIFT CLEVIS

180 972
M2

MF 35,65,135(TO S/N
98068) 148, 165(TO
S/N 594970) 168, 175,
178(TO S/N
746014)185, 188, 230,
240(TO S/N
522354)250, 265, 275,
285, 290, 298, 350,
355, 365, 375, 390,
398, 399, 550, 565,
575, 590, 595, 675,
690, 698, 698T, 699,
765, 1080 MK 2 & MK
3 PUMPS

1140 HYD. LIFT CLEVIS

1863389M
1

MF - 285



1141 HYD. LIFT PLUNGER

182 580
M1

MF 35, 65, 765



1142 HYD. LIFT PLUNGER

886 348
M2

MF 135 150 165 175
180 20 20C 20D 20F
20G 202 203 205 2135
2200 360 240 231 235
240P 245 250 253 255
265 50E 670 690 699



1143 HYD. LIFT PLUNGER CUP

182 581
M1

MF 35,65,765

1144 HYD. LIFT PLUNGER CUP

886 351
M1

MF 135 150 165 175
180 20 20C 20D 20F
20G 202 203 205 2135
2200 230 240 231 235
240P 245 250 253 255
265 50E 670 690 699

1145 HYD. LIFT PLUNGER CUP
STEEL 887654M1 MF - 285



1146 HYD. LIFT CONTROL CHECK
NUT 180 979
M1

MF 35,65,135(TO S/N
98069) 165 175 178
240 148 168 185 188
250 265 275 285 290
298 550 565 575 590
595 675 690 698 1080
FE35 152 155 158 230
240 250 260 340 342
350 352 355 360 362
365 372 375 382N 390
390T 398 399
698T699 1200 1250



1147 HYD. LIFT PLUNGER SPRING 182 582
M1

MF 35 65 765 FE35
135 148 152 155 158
165 168 175 178 185
188 230 240 250 260
265 275 285 290 340
342 350 352 355 360
362 365 (HEAVY
DUTY) 372 375 382N
550 560 565 575 590
675 690



1148 HYD. LIFT OVER LOAD STOP
DISC 180 981
M1

MF 35, 65, 765



1149 HYD. LIFT TOP LINK BUSH
(SET OF 2 PCS) 180 974
M1

MF 35, 65, 765, 135
(TO S/N 93068) 165
(TO S/N 594970) 175,
178 (TO S/N 746014)
240 (TO S/N 522354)



1150 HYD. LIFT HEAD LINK YORK
(ROCKER) 180 973
M2

MF 35 35X 65 50 135
(TO S/N 98068) 165
(TO S/N 594970) 175
178 (TO S/N 746014)



1151 HYD. LIFT SIDE PLATE (COVER
R/H) 712 744
M1

MF 35,65,765



1152 HYD. LIFT ADJUSTING SLIDE 181033M1 MF - 35



1153 HYD. LIFT ADJUSTING KNOB 1860403M
1 MF - 35



1154 HYD. LIFT LEVER STOP KNOB 1860403M
1
182282M1 MF - 35
353754
353918



1155 HYD. LIFT LEVER KNOB BIG *** MF J SERIES



1156 HYD. LIFT LEVER KNOB SMALL MF J SERIES



1157 HYD. LIFT STAND PIPE (LENGTH 311MM) 190856M1 MF - 35, 65, 765

1158 HYD. LIFT STAND PIPE (LENGTH 311MM) 190856M1 MF 35, 65, 765

1159 HYD. LIFT STAND PIPE (LENGTH 304MM) 190856M1 MF 35, 65, 765

1160	HYD. LIFT STAND PIPE (LENGTH 249MM)	1869119M 1	MF 245, 240
1161	HYD. LIFT STAND PIPE (317MM)	898229M1	



1162	HYD. LIFT 'O' RING KIT WITH TEFLON RING & GASKET N/M	2125092K1	MF 35, 65, 765
-------------	---	-----------	----------------

1163	LIFT 'O' RING KIT MARK-II	1810684M 92	MF - 165, 175, MK-II
-------------	---------------------------	----------------	----------------------



1164	HYD. LIFT STAND PIPE 'O' RING WITH TEFLON	195874M1 195561M1	MF - 35
-------------	--	----------------------	---------

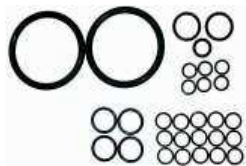


1165	HYD. LIFT 'O' RING KIT WITH TEFLON RING & GASKET (SET OF 29 PCS.)	1810680M 2	135 (FROM S/N 447440) 148 158 165 (FROM S/N 136610) 168 (FROM S/N 256093) 175 178 185 188 230 240 250 265 275 285 290 298 340 342 350 353 360 362 365 372 375 390 390T 398 399 550 575 590 675 690 698 698T 699 INDUSTRIAL TRACTOR (20C 20D 20F 30B 30D 30E 40B
-------------	---	---------------	--



1166	HYD. LIFT 'O' RING KIT (23MM)	9923092T0 2	IMT
-------------	----------------------------------	----------------	-----

1167	HYD. LIFT 'O' RING KIT (25MM)	9925092T0 2	IMT
-------------	----------------------------------	----------------	-----



1168	HYD. LIFT 'O' RING KIT MARK- I	1810467M 92	MF -
-------------	-----------------------------------	----------------	------



1169	HYD. "O" RING KIT	***	MF - 1215
-------------	-------------------	-----	-----------

1170	TOP LINK ASSY.	712274M9 1	MF - 35
-------------	----------------	---------------	---------

1171	TOP LINK ASSY.	1870075M 91 184134M9 1	MF - 65, 135
-------------	----------------	---------------------------------	--------------



1172	TOP LINK ASSY.	894376M9 1 184078M9 1	MF - 148, 240 250
-------------	----------------	--------------------------------	-------------------

1173	TOP LINK ASSY.	894377M9 1 184361M9 1	MF - 165, 168, 175
-------------	----------------	--------------------------------	--------------------

1174	TOP LINK ASSY.	1869954M 91	MF - 245
-------------	----------------	----------------	----------



1175	TOP LINK ASSY.	893439M9 1 1887285M 91	MF - 265, 275, 285
-------------	----------------	---------------------------------	--------------------




1176	TOP LINK ASSY.	1660050M 91 1690223M 91 1861431M 91	MF - 398T
-------------	----------------	--	-----------

1177	LOWER LINK ASSY. (PATTA) RH	712107M9 1	MF - 35
-------------	--------------------------------	---------------	---------



1178	LOWER LINK ASSY. (PATTA) LH	712108M9 1	MF - 35
-------------	--------------------------------	---------------	---------

1179	LOWER LINK ASSY. (PATTA) RH	714058M9 1	MF - 35DI
-------------	--------------------------------	---------------	-----------

			182632M9	
			1	
1180	LOWER LINK ASSY. (PATTA) RH		886432M9	MF - 135
			2	
			882698M9	
			2	
			182633M9	
			1	
1181	LOWER LINK ASSY. (PATTA) LH		882754M1	MF - 135
			886433M9	
			2	
			0719669E9	
1182	LOWER LINK ASSY. (PATTA)		1	MF J-SERIES
			0719880E9	
			1	
1183	LOWER LINK ASSY. (PATTA) RH		1863435M	MF - 240, 255T
			94	
1184	LOWER LINK ASSY. (PATTA) LH		886451M9	MF - 240, 255T
			3	
1185	LOWER LINK ASSY. (PATTA) RH		1660263M	MF - 265, 275, 285
			93	
1186	LOWER LINK ASSY. (PATTA) LH		1660262M	MF - 265, 275, 285
			93	
1187	LOWER INK ASSY. (PATTA)		1869289M	MF - 148, 240, 245, 556
			91	
	1188	LEVELLING BOX ASSY. (L.H. SIDE)	712478M9	MF - 35
			7	
	1189	LEVELING BOX ASSY. (L.H. SIDE)	713398M9	MF - 245
			1	
1190	LEVELING BOX ASSY		712344M2	MF - 35
	1191	LEVELING BOX ASSY	1660373M	MF - 245
			92	
			1693985M	
			94	
			1660438M	
			92	
1192	LEVELING BOX ASSY.		1682387M	MF - 265, 285, 398T
			91	
			1663053M	
			94	
			1693992M	
			94	

RAJ ENGINEERING PRODUCTS

**Email: autotechtractor@yahoo.com
Tractorspare99@yahoo.com**

**PH: +91-966 0103259
+91-977 2653134**